

# STOCKHOLM 90

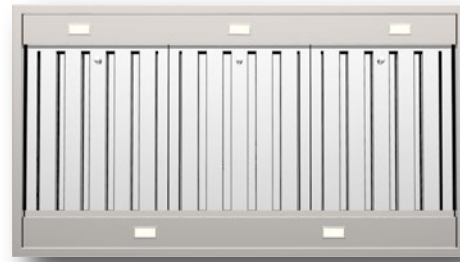


## Product Features

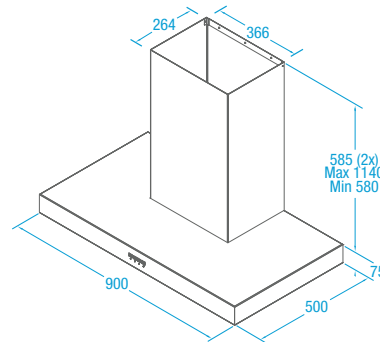
<b>Hood Mounting</b>	Wall Hung
<b>Cooking Coverage</b>	Suits 75cm - 100cm Cooking Surfaces
<b>Filtration</b>	S-Flow Baffle Filters 3x (H-25) - Dishwasher Safe
<b>Lighting</b>	LED 5x (1.0W)
<b>Finish</b>	<b>AISI304 1.0mm</b> High Grade Stainless Steel
<b>Controls</b>	LED Backlit 4 Button <i>mastermind</i> Electronic Control with LED Speed Indicator
<b>Speed Settings</b>	3 Speed + Boost Mode
<b>Timer Function</b>	Programmable Timer (10min Increments) + Auto Shut Off After 2Hrs Of Inactivity
<b>Ducting</b>	200mm Acoustic Flexi Ducting - Five (5) Meter Length (Supplied only with Remote Motors)
<b>Hood Width</b>	900mm
<b>Hood Depth</b>	500mm
<b>Hood Height (Fascia)</b>	75mm



## Filtration Zone



## Dimensioned Drawing



## Model / Extraction Unit Selection

X5S09S5.IL	Wall Hung Canopy	KleenAir <b>Lite</b> Remote Fan Solution - <b>800 m³/hr</b>	Remote <b>In-line</b> Motor System
X5S09S5.EL	Wall Hung Canopy	KleenAir <b>Lite</b> Remote Fan Solution - <b>800 m³/hr</b>	Remote <b>External</b> (Roof or Wall Mounted) Motor System
X5S09S5.IP	Wall Hung Canopy	KleenAir <b>Pro</b> Remote Fan Solution - <b>1140 m³/hr</b>	Remote <b>In-line</b> Motor System
X5S09S5.EP	Wall Hung Canopy	KleenAir <b>Pro</b> Remote Fan Solution - <b>1140 m³/hr</b>	Remote <b>External</b> (Roof or Wall Mounted) Motor System
X5S09S5.EPP	Wall Hung Canopy	KleenAir <b>Pro Plus</b> Remote Fan Solution - <b>2010 m³/hr</b>	Remote <b>External</b> (Roof or Wall Mounted) Motor System
X5S09S5.OP/T	Wall Hung Canopy	KleenAir <b>Power</b> On Board Fan Solution - <b>1020 m³/hr</b>	<b>On-Board</b> Motor System - <b>Top</b> Ducted (150mm Outlet)
X5S09S5.OP/B	Wall Hung Canopy	KleenAir <b>Power</b> On Board Fan Solution - <b>1020 m³/hr</b>	<b>On-Board</b> Motor System - <b>Back</b> Ducted (150mm Outlet)
X5S09S6.OU/T	Wall Hung Canopy	KleenAir <b>Ultra</b> EC On Board Fan Solution - <b>1680 m³/hr</b>	<b>On-Board</b> Motor System - <b>Top</b> Ducted (Inc. Transition Duct)
X5S09S6.OU/B	Wall Hung Canopy	KleenAir <b>Ultra</b> EC On Board Fan Solution - <b>1680 m³/hr</b>	<b>On-Board</b> Motor System - <b>Back</b> Ducted (Inc. Wall Vent Kit)